

LP25355 Powertach Blade

Parts Breakdown

John Deere Licensed Product

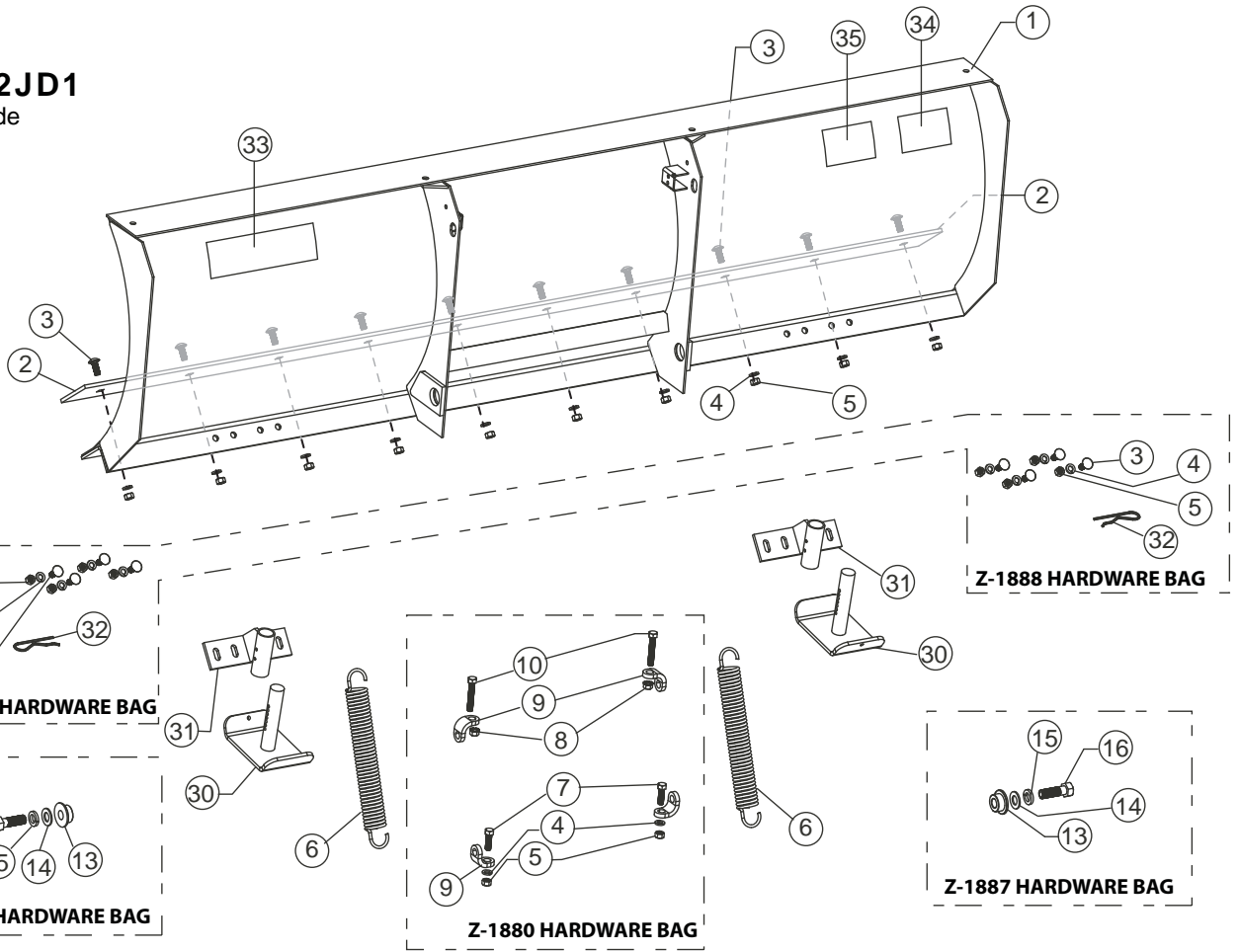
For warranty or replacement parts on licensed product please
call John Deere Special Services at 1-866-218-8622.



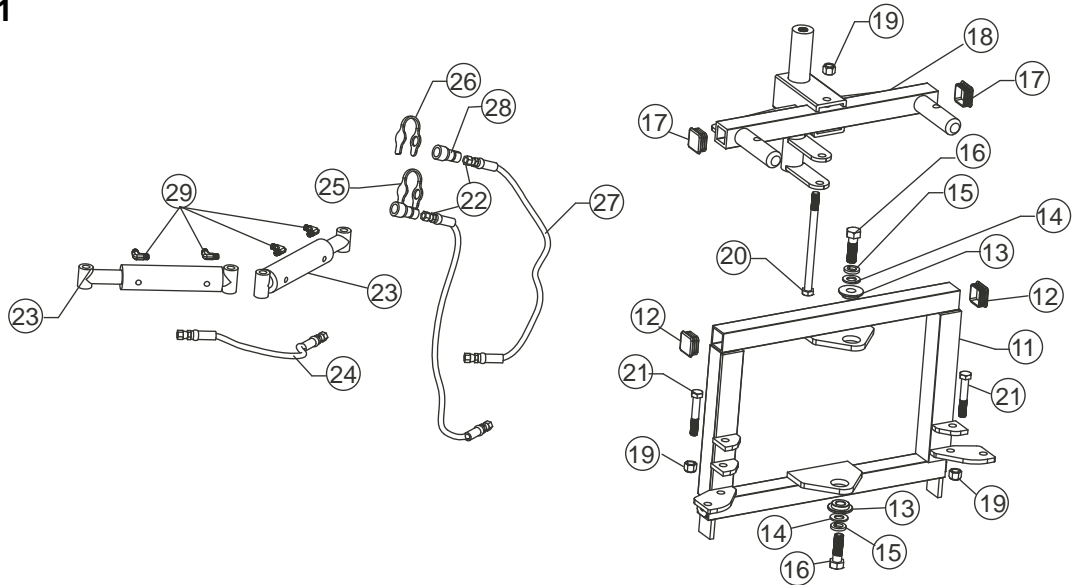
Item	Part #	Qty	Description
1	B-7155-10	1	Blade Weldment, 72" HD
2	B-7179-10	1	Bar, Wear 72"
3	11M1216P	18	Bolt, Carriage 3/8" x 1"
4	40M1200P	20	Washer, Lock 3/8"
5	30M1200P	20	Nut, hex 3/8"-16
6	B-7122	2	Spring, Trip
7	2M1220P	2	Bolt, Hex Hd. 3/8" x 1-1/4"
8	B-6299	2	Nut, Keps Hex, 3/8"-16
9	B-7215-10	4	Bracket, Spring
10	B-7291	2	Bolt, Hex Hd. 3/8"x2-1/2"
11	B-7140-10	1	Frame Weldment
12	B-7360	2	Cap, Square
13	B-6745-01	4	Bearing Flange
14	45M2121P	4	Washer, Flat, 5/8"
15	40M2000P	4	Washer, Lock Medium 5/8"
16	2M2032P	4	Bolt, Hex Hd. 5/8" x 2",
17	B-7287	2	Cap, Square
18	B-7145-10	1	Weldment, Pivot

Item	Part #	Qty	Description
19	B-1677P	3	Nut, Hex Lock, 1/2"-13
20	2M16120P	1	Bolt, Hex Hd. 1/2" x 7-1/2"
21	1M1648P	2	Bolt, Hex, 1/2" x 3", Gr 2
22	1006613	2	Fitting, 1/8" NPT
23	B-6842	2	Cylinder, Hydraulic, Aux
24	B-7191	1	Hose Assembly, 14" Black
25	B-7275	1	Plug, Dust - Blue
26	B-6849	1	Plug, Dust - Black
27	B-7190	2	Hose Assembly, 29
28	B-6838	2	Disconnect, Quick - Female
29	B-6810	4	Adapter, Face Seal, 90
30	B-7186-10	2	Shoe Rod Weldment
31	B-6997-10	2	Mount, Shoe
32	F-620	2	Cotter, Hairpin Special
33	JD5792	1	Label, John Deere
34	M119672	1	Label, Jammed Blade
35	M123368	1	Label, Sudden Stop

LPB72JD1
Blade



LPBMJD1
Blade Mount



Item	Part #	Qty	Description
1	1007410-10	1	Mount, Hitch
2	B-4785	4	Nut, Lock Nylon 1/4"-20
3	1007420-10	1	Bracket, Manifold
4	2M0852P	2	Bolt, Hex Hd. 1/4" x 3-1/4"
5	B-4786	2	Nut, Lock Nylon 5/16"-18
6	2M1036P	2	Bolt, Hex Hd., 5/16" x 2-1/4"
7	2M1660P	1	Bolt, Hex Hd. 1/2" x 3-3/4"
8	45M1717P	3	Washer, Flat SAE, 1/2"
9	B-5096Y	2	Nut, Lock Nylon 1/2"
10	H-529	4	Spring, Retainer
11	B-5746	4	Pin, Clevis, 1/2" x 1-3/4"
12	45M1313P	2	Washer, Flat SAE, 3/8"
13	40M1200P	2	Washer, Lock 3/8"
14	2M1216P	2	Bolt, Hex Hd.
15	2M2032P	2	Bolt, Hex Hd. 5/8" x 2", Gd 5
16	40M2000P	2	Washer, Lock, Medium, 5/8"
17	B-6745-01	2	Bearing, Plated
18	B-7258-01	2	Pin, Tab Lock, 3/8" x 2-3/4"
19	B-1676P	1	Nut, Hex Hd. 7/16"-14
20	B-7251-10	1	Hitch
21	B-7285-10	1	Coupler
22	40M1600P	2	Washer, Lock, 1/2"
23	4M1624P	1	Bolt, 1/2" x 1-1/2", Gd 8
24	B-6750-10	1	Plate, Control
25	2M1644P	1	Bolt, Hex Hd. 1/2" x 2-3/4"
26	2M1456P	1	Bolt, Hex Hd. 7/16" x 3-1/2", Gd 5
27	B-6933	1	Screw, Cap, 1/2" x 1-1/4"
28	1006944-10	1	Arm
29	B-7287	2	Cap, Square
30	2M1656P	1	Bolt, Hex Hd. 1/2" x 3-1/2"
31	1007421-10	1	Bracket, Vehicle Mounting
32	1007418-10	1	Tractor Mount, Left
33	1007419-10	1	Tractor Mount, Right

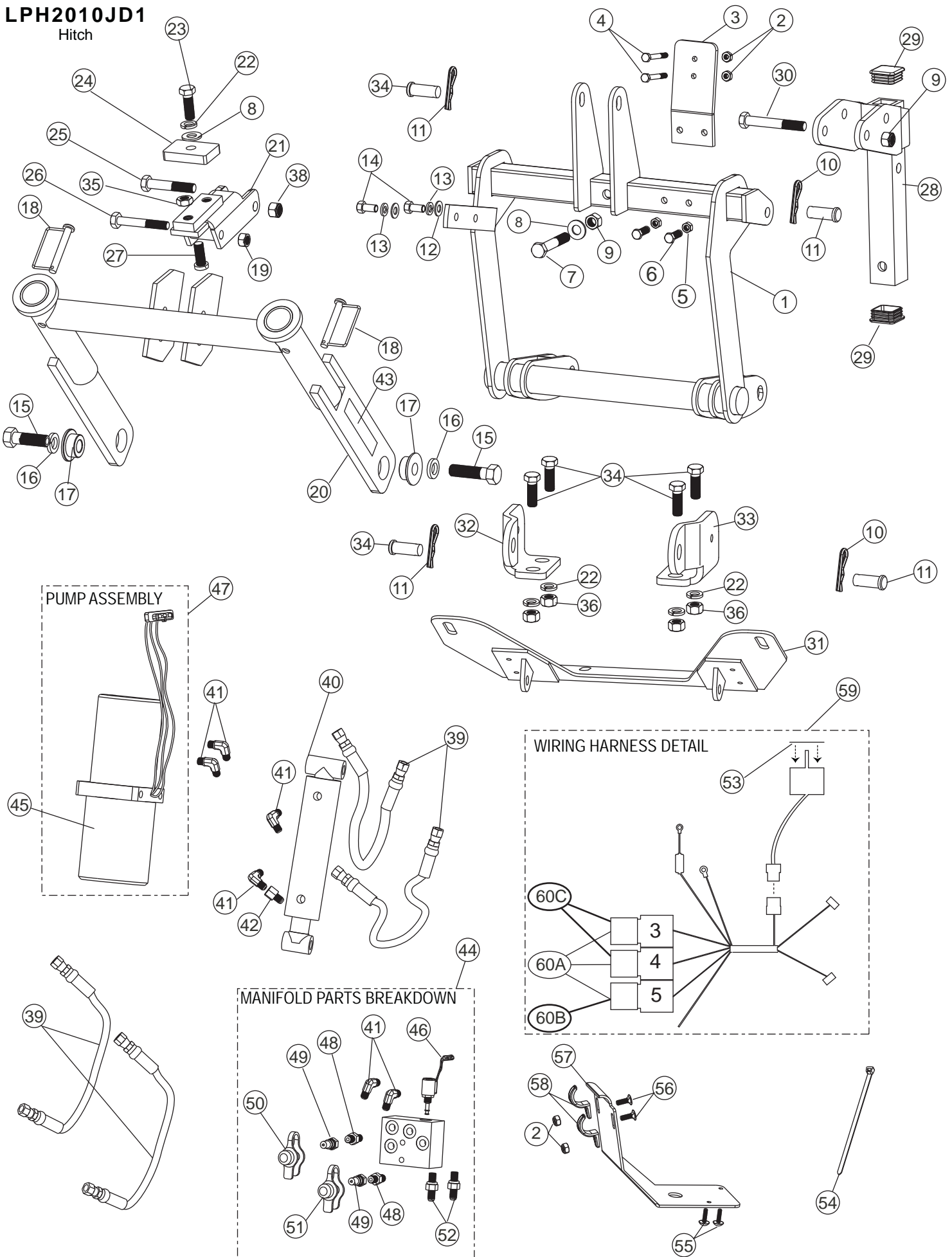
Item	Part #	Qty	Description
34	V-219P	2	Bolt, Hex Hd. 1/2" x 2-1/2"
35	31M1600P	1	Nut, Jam 1/2"
36	30M1600P	4	Nut, 1/2"
37	40M1600P	3	Washer, Lock, 1/2"
38	B-1677P	1	Nut, Hex Lock 1/2"
39	B-7194	4	Hose Assembly, 18"
40	B-6832	1	Cylinder, Hydraulic Main
41	B-6810	6	Adapter, Face Seal 90
42	1007957	1	Orifice .030
43	L-1869	2	Label, Powertach
44	1007437	1	Assembly, Manifold
45	1008007	1	Pump, Hydraulic
46	B-7404	1	Solenoid
47	B-7405-SER	1	Pump/Motor Assembly
48	B-7286	2	Nipple, 1/8 NPT
49	B-7192	2	Disconnect, Quick, Male
50	B-6850	1	Plug, Dust, Female, Black
51	B-7193	1	Plug, Dust, Female, Blue
52	B-7159	2	Fitting, 1/8 NPT to JIC
53	B-7184	1	Label, Switch
54	B-6395	6	Cable Tie, Nylon, 6"
55	20M0612PY	2	Screw, Rd Hd, #10 x 3/4"
56	11M0812P	2	Bolt, Carriage, 1/4" x 3/4"
57	1007969-10	1	Bracket, Switch
58	B-7181	2	Clamp, 1/2" Conduit
59	B-8023	1	Wiring Harness, w/Switch
60A ⁽¹⁾	B-6836	3	Relay (40 amp) (Used in Sockets 3,4,5)
60B ⁽²⁾	B-6836	1	Relay (40 amp) (Used in Socket Location 5)
60C ⁽²⁾	1009399	2	Relay (80 amp) (Used in Socket Location 3,4)

⁽¹⁾ For Powertach Blades purchased prior to March 2013.

⁽²⁾ For Powertach Blades purchased after March 2013.

LPH2010JD1

Hitch



PUMP ASSEMBLY

WIRING HARNESS DETAIL

MANIFOLD PARTS BREAKDOWN